

Dillon Super 1050

Instruction Manual

November 2009



Dillon
Precision
Products, Inc.
Manufacturers of
The World's Finest
Loading Equipment

Super 1050 - Caliber Conversion Chart

.32 ACP Conversion - #20634

11113 #J Shellplate
14048 #8 Locator Pin (6)
12780 .32 cal. Expander - S
12845 Powder Funnel - S
13810 Adapter - White
13306 Casefeed Plunger - Small
17384 Blue Locator Tab - Short (1)
13569 Blue Locator Tab (5)
14067 Die Lock Ring

.32 S&W Long/H&R Mag Conv - #20634

12107 #D Shellplate
14060 #3 Locator Pin (6)
12780 .32 cal. Expander - S
12845 Powder Funnel - S
13878 Adapter - Green
13306 Casefeed Plunger - Small
17384 Blue Locator Tab - Short (1)
13569 Blue Locator Tab (5)
14067 Die Lock Ring

.380 Auto Conversion - #20483

12441 #3 Shellplate
14060 #3 Locator Pin (6)
13285 .380 cal. Expander - F
13810 Adapter - White
12964 Casefeed Plunger - Small .380
17384 Blue Locator Tab - Short (1)
13569 Blue Locator Tab (5)
14067 Die Lock Ring
13419 1/4 x 28 Jam Nut
13017 Swage Back-up Rod - Large
12184 Swage Die
13483 9/16 x 18 Lock Nut
13005 Powder Activator - Pistol

9mm Conversion - #20482

12938 #5 Shellplate
14060 #3 Locator Pin (6)
12833 9mm cal. Expander - F
13878 Adapter - Green
13306 Casefeed Plunger - Small
17384 Blue Locator Tab - Short (1)
13569 Blue Locator Tab (5)
14067 Die Lock Ring
13005 Powder Activator - Pistol

.357 SIG Conversion - #20068

12940 #W Shellplate
14062 #2 Locator Pin (6)
12833 9mm cal. Expander - F
13878 Adapter - Green
13098 Casefeed Plunger - Medium
17384 Blue Locator Tab - Short (1)
13569 Blue Locator Tab (5)
14067 Die Lock Ring
13005 Powder Activator - Pistol

.38 Super Conversion - #20484

12938 #5 Shellplate
14060 #3 Locator Pin (6)
12833 9mm cal. Expander - F
13878 Adapter - Green
13306 Casefeed Plunger - Small
17384 Blue Locator Tab - Short (1)
13569 Blue Locator Tab (5)
14067 Die Lock Ring
13005 Powder Activator - Pistol

.38 Super Comp Conv. - #21057

12441 #3 Shellplate
14060 #3 Locator Pin (6)
12833 9mm cal. Expander - F
13878 Adapter - Green
13306 Casefeed Plunger - Small
17384 Blue Locator Tab - Short (1)
13569 Blue Locator Tab (5)
14067 Die Lock Ring
13005 Powder Activator - Pistol

.38 Special/.357 Mag. Conv. - #20477

12704 #2 Shellplate
14062 #2 Locator Pin (6)
13137 .38/.357 cal. Expander - D
13802 Adapter - Orange
13098 Casefeed Plunger - Medium
17384 Blue Locator Tab - Short (1)
13569 Blue Locator Tab (5)
14067 Die Lock Ring
13005 Powder Activator - Pistol

9x25 Dillon Conversion - #21525

12940 #W Shellplate
14062 #2 Locator Pin (6)
12833 9mm cal. Expander - F
13872 Adapter - Red
13098 Casefeed Plunger - Medium
17384 Blue Locator Tab - Short (1)
13569 Blue Locator Tab (5)
14067 Die Lock Ring
13005 Powder Activator - Pistol

.40 S&W Conversion - #20545

12940 #W Shellplate
14062 #2 Locator Pin (6)
12912 10mm cal. Expander - W
13878 Adapter - Green
13098 Casefeed Plunger - Medium
17384 Blue Locator Tab - Short (1)
13569 Blue Locator Tab (5)
14067 Die Lock Ring
13005 Powder Activator - Pistol

10mm Auto Conversion - #20788

12940 #W Shellplate
14062 #2 Locator Pin (6)
12912 10mm cal. Expander - W
13872 Adapter - Red
13098 Casefeed Plunger - Medium
17384 Blue Locator Tab - Short (1)
13569 Blue Locator Tab (5)
14067 Die Lock Ring
13005 Powder Activator - Pistol

.38-40 Conversion - #21160

16153 1050 #N Shellplate
14047 #4 Locator Pin (6)
13600 Powder Funnel W - Pistol
13654 Adapter .41 Mag, .44, .45 LC
13073 Casefeed Plunger - Large
17384 Blue Locator Tab - Short (1)
13569 Blue Locator Tab (5)

.41 Magnum Conv. - #20478

11856 #6 Shellplate
13930 #1 Locator Pin (6)
12882 .41 cal. Expander - H
13654 Adapter - Yellow
13073 Casefeed Plunger - Large
17384 Blue Locator Tab - Short (1)
13569 Blue Locator Tab (5)
14067 Die Lock Ring
13005 Powder Activator - Pistol

.44-40 Conversion - #21161

16153 1050 #N Shellplate
14047 #4 Locator Pin (6)
13474 Funnel .44-40
13654 Adapter .41 Mag, .44, .45LC
13073 Casefeed Plunger - Large
17384 Blue Locator Tab - Short (1)
13569 Blue Locator Tab (5)

.44 Special/Magnum Conv. - #20479

12600 #4 Shellplate
14047 #4 Locator Pin (6)
12628 .44 cal. Expander - G
13654 Adapter - Yellow
13073 Casefeed Plunger - Large
17384 Blue Locator Tab - Short (1)
13569 Blue Locator Tab (5)
14067 Die Lock Ring
13005 Powder Activator - Pistol

.45 GAP Conversion - #21010

12999 1050 #1 Shellplate
13930 #1 Locator Pin (6)
11118 1050 .45 GAP Expander
13842 .45 GAP Casefeed Adapter
13073 Casefeed Plunger - Large
17384 Blue Locator Tab - Short (1)
13569 Blue Locator Tab (5)
14067 Die Lock Ring
13005 Powder Activator - Pistol

.45 ACP Conversion - #20480

12999 #1 Shellplate
13930 #1 Locator Pin (6)
12749 .45 cal. Expander - E
13872 Adapter - Red
13073 Casefeed Plunger - Large
17384 Blue Locator Tab - Short (1)
13569 Blue Locator Tab (5)
14067 Die Lock Ring
13005 Powder Activator - Pistol

.45 Colt Conversion - #20481

11235 #C Shellplate
14047 #4 Locator Pin (6)
12749 .45 cal. Expander - E
13654 Adapter - Yellow
13073 Casefeed Plunger - Large
17384 Blue Locator Tab - Short (1)
13569 Blue Locator Tab (5)
14067 Die Lock Ring
13005 Powder Activator - Pistol

.475 Linebaugh/.480 Ruger Conv. - #20833

12705 1050 #G Shellplate
15755 #6 Locator Pin (6)
10723 Powder Funnel .475/.480 Ruger
11089 Super 1050 .475/.480 Adapter
13072 Casefeed Plunger 45-70
17384 Blue Locator Tab - Short (1)
13569 Blue Locator Tab (5)
14067 Die Lock Ring
13443 Large Powder Die - Part
20534 1050 Mag CF Tube, Red
21075 Casefeed Plate - Large Rifle
22174 Casefeed Funnel Assembly - Lg
(Requires Extra Large Powder Die - #21253)

Super 1050 - Caliber Conversion Chart

.500 S&W Conversion - #20834

11036 .500 S&W 1050 Shellplate
 13436 #7 Locator Pin (6)
 14465 Powder Funnel, .50 AE
 11090 Super 1050 .500 S&W Adapter
 13072 Casefeed Plunger - Extra Large
 17384 Blue Locator Tab - Short (1)
 13569 Blue Locator Tab (5)
 14067 Die Lock Ring
 13443 Large Powder Die - Part
 20534 1050 Mag CF Tube, Red
 21075 Casefeed Plate - Large Rifle
 22174 Casefeed Funnel Assembly - Lg
 (Requires Extra Large Powder Die - #21253)

.223 Remington Conversion - #20485

12441 #3 Shellplate
 14060 #3 Locator Pin (6)
 13332 Back-up/Expander .223
 13426 Powder Funnel - A
 12146 Adapter (pinned) - White, Long
 13306 Casefeed Plunger - Small
 17384 Blue Locator Tab - Short (1)
 13569 Blue Locator Tab (5)
 14067 Die Lock Ring
 12184 Swage Die Body - Part
 13483 9/16 x 18 Lock Nut

.22-250 Conversion - #21055

12999 #1 Shellplate
 13930 #1 Locator Pin (6)
 12071 1000/1050 .22-250 Expander
 13426 Powder Funnel - A, Rifle
 11005 Super 1050 Adapter - .308 Win
 13098 Casefeed Plunger - Medium
 17384 Blue Locator Tab - Short (1)
 13569 Blue Locator Tab (5)
 14067 Die Lock Ring
 12184 Swage Die Body - Part
 13483 9/16 x 18 Lock Nut

.243 Winchester Conversion - #21054

12999 #1 Shellplate
 13930 #1 Locator Pin (6)
 12070 1000/1050 .243 Expander
 13305 Powder Funnel - I, Rifle
 11005 Super 1050 Adapter - .308 Win
 13098 Casefeed Plunger - Medium
 17384 Blue Locator Tab - Short (1)
 13569 Blue Locator Tab (5)
 14067 Die Lock Ring
 12184 Swage Die Body - Part
 13483 9/16 x 18 Lock Nut

6.5 Grendel Conversion - #20896

11925 #A Shellplate
 14062 #2 Locator Pin (6)
 18947 Powder Funnel 6.5 Grendel
 12943 Adapter - 7.62x39
 13098 Casefeed Plunger - Medium
 13703 Casefeed Spacer
 17384 Blue Locator Tab - Short (1)
 13569 Blue Locator Tab (5)
 14067 Die Lock Ring

.270 Winchester Conversion - #21053

12999 #1 Shellplate
 13930 #1 Locator Pin (6)
 12069 1000/1050 .270 Expander
 13456 Powder Funnel - J, Rifle
 11004 Super 1050 Adapter - .30-06
 13098 Casefeed Plunger - Medium
 17384 Blue Locator Tab - Short (1)
 13569 Blue Locator Tab (5)
 14067 Die Lock Ring
 12184 Swage Die Body - Part
 13483 9/16 x 18 Lock Nut

.30 Carbine Conversion - #20626

12655 #8 Shellplate
 14048 #8 Locator Pin (6)
 12748 .30 M1 Expander - C
 13564 Powder Funnel C
 12641 Adapter - White, Slotted
 13306 Casefeed Plunger - Small
 17384 Blue Locator Tab - Short (1)
 13569 Blue Locator Tab (5)
 14067 Die Lock Ring

.30-30 Conversion - #21052

12075 #7 Shellplate
 14047 #4 Locator Pin (6)
 12068 1000/1050 .30-30 Expander
 13587 Powder Funnel - B, rifle
 11005 Super 1050 Adapter - .308 Win
 13073 Casefeed Plunger - Large
 17384 Blue Locator Tab - Short (1)
 13569 Blue Locator Tab (5)
 14067 Die Lock Ring
 12184 Swage Die Body - Part
 13483 9/16 x 18 Lock Nut

.308 Win./7.62x51 Conversion - #21049

12999 #1 Shellplate
 13930 #1 Locator Pin (6)
 12074 Back Up Expander - .308
 13587 Powder Funnel - B, rifle
 11005 Super 1050 Adapter - .308 Win
 13098 Casefeed Plunger - Medium
 17384 Blue Locator Tab - Short (1)
 13569 Blue Locator Tab (5)
 14067 Die Lock Ring
 12184 Swage Die Body - Part
 13483 9/16 x 18 Lock Nut

.300 WSM Conversion - #20466

18497 #B Shellplate
 15755 #6 Locator Pin (6)
 12074 Back Up Expander - .308
 18415 Powder Funnel, Short - .300 Mag.
 11459 1050 Adapter - .300 WSM
 13072 Casefeed Plunger - Extra Large
 17384 Blue Locator Tab - Short (1)
 13569 Blue Locator Tab (5)
 14067 Die Lock Ring
 12184 Swage Die Body - Part
 13483 9/16 x 18 Lock Nut
 11458 1050 Casefeed Body - Magnum
 (Requires Extra Large Powder Die - #21253)

.30-06 Conversion - #21050

(only conversion kit that includes dies)
 10840 .30-06 Die Set
 12999 #1 Shellplate
 13930 #1 Locator Pin (6)
 12073 Back-up Expander - .30-06
 13587 Powder Funnel - B, Rifle
 11004 Super 1050 Adapter - .30-06
 13098 Casefeed Plunger - Medium
 17384 Blue Locator Tab - Short (1)
 13569 Blue Locator Tab (5)
 14067 Die Lock Ring
 12184 Swage Die Body - Part
 13483 9/16 x 18 Lock Nut

7.62 x 39 Conversion - #20631

11925 #A Shellplate
 14062 #2 Locator Pin (6)
 13348 Back Up Expander - 7.62 x 39
 13015 Powder Funnel AK
 12943 Adapter
 13098 Casefeed Plunger - Medium
 13703 Casefeed Spacer
 17384 Blue Locator Tab - Short (1)
 13569 Blue Locator Tab (5)
 14067 Die Lock Ring
 12184 Swage Die Body - Part
 13483 9/16 x 18 Lock Nut

.303 British Conversion - #21051

16153 #N Shellplate
 14047 #4 Locator Pin (6)
 13348 Back Up Expander - 7.62 x 39
 13587 Powder Funnel - B, rifle
 13654 Super 1050 Adapter - .41 Mag.,
 .44, .45 LC
 13073 Casefeed Plunger - Large
 17384 Blue Locator Tab - Short (1)
 13569 Blue Locator Tab (5)
 14067 Die Lock Ring
 12184 Swage Die Body - Part
 13483 9/16 x 18 Lock Nut

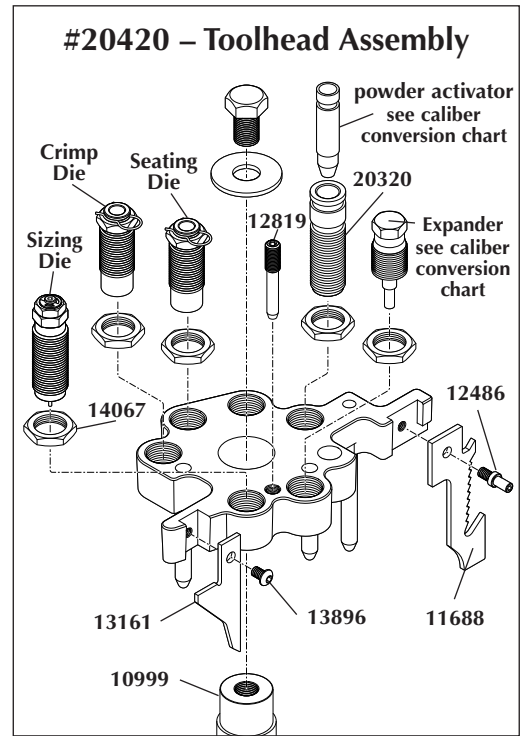
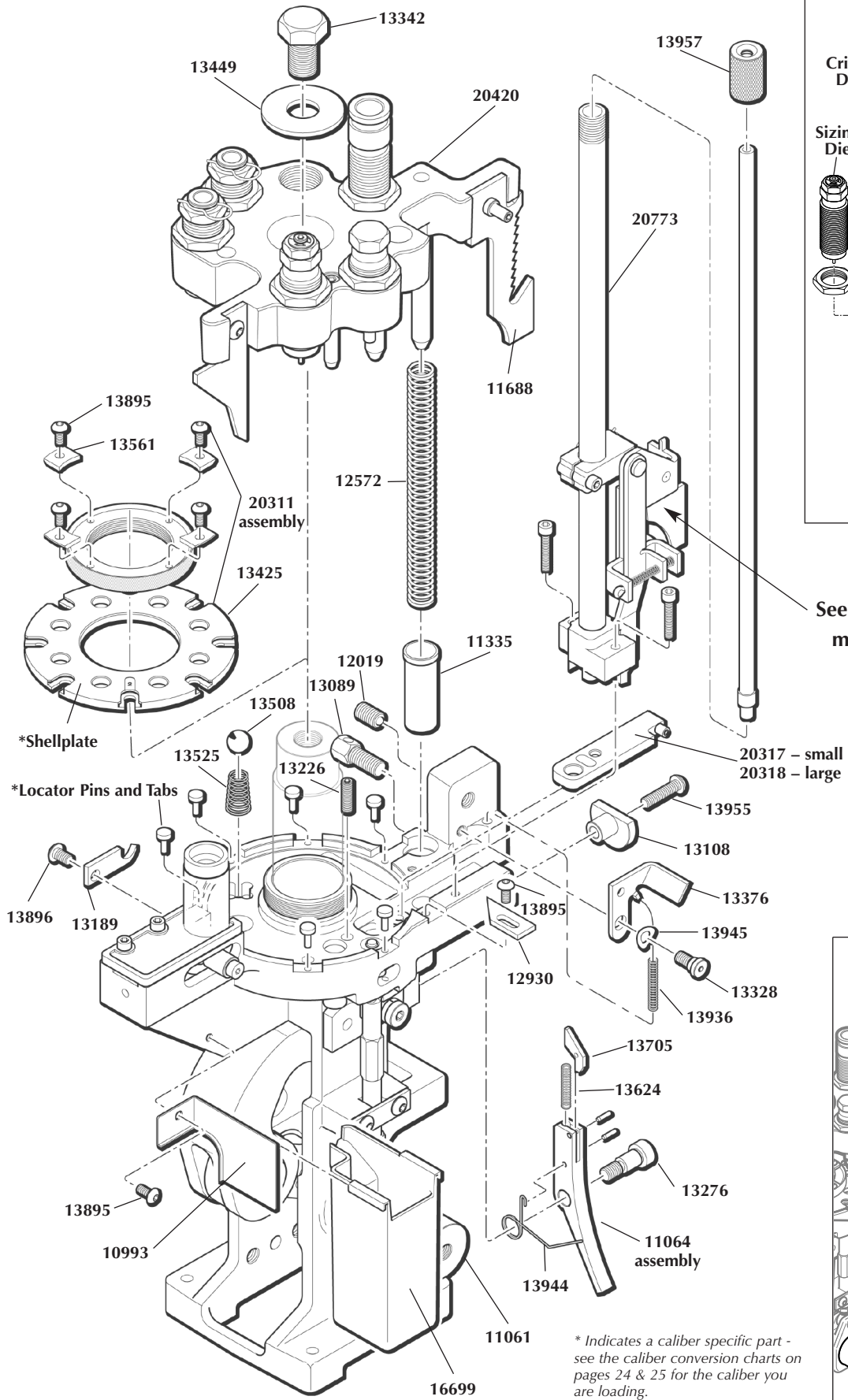
.45-70 Conversion - #21056

12705 1050 Custom #G Shellplate
 13436 #7 Locator Pin (6)
 12072 1000/1050 .45-70 Expander
 13407 Powder Funnel - T, pistol
 11007 Super 1050 Adapter - .45-70
 13072 Casefeed Plunger - Extra Large
 17384 Blue Locator Tab - Short (1)
 13569 Blue Locator Tab (5)
 14067 Die Lock Ring
 12184 Swage Die Body - Part
 13483 9/16 x 18 Lock Nut
 20773 Primer Feed Body/Shield
 20534 1050 Mag CF Tube Red

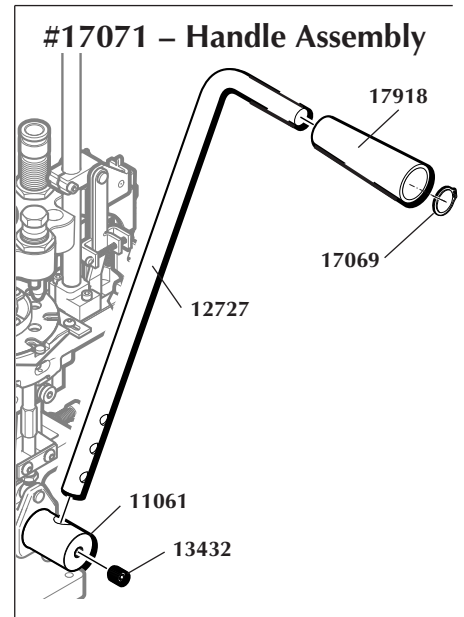
Super 1050 Parts Listing

Part #	Description				
10851	Index Lever, Super 1050B	13435	1/4" Hex Wrench	13945	5/16" Bowed Washer
10991	Bin Support Bracket	13449	Toolhead Washer	13951	Powder Bar Post – Small
10992	Inside Frame Stop	13475	Journal Key 1050	13955	Lower Plate Screw
10993	Spent Primer Cup Bracket	13483	Old Style Jam Nut 9/16x18	13957	Magazine Shield Cap 1050
10994	.560 dia. Mainshaft Pin	13484	1050 Cartridge Bin	13958	Powder Bar Bolt Washer
10997	Super 1050 Frame	13495	Lower Cord Clamp	13960	Powder Bar Return Rod – Part
10999	Mainshaft	13498	Plunger Roller 1050	13964	10-24x1/4 BHCS for Index Roller
11003	Lever Arm	13502	Clamp Retaining Screw	13972	3/16 Roll Pin
11006	Casefeed Housing	13508	Index Ball 1050	14003	Magazine Orifice – Large – Red
11008	BH-1610 Roller Bearing	13515	Slide Alignment Pin	14023	10-24 5/8 Buttonhead Screw
11009	1.00" dia. Pin	13522	Clevis Pin	14024	Magazine Orifice – Small – Blue
11010	Carrier Cap	13525	Index Ball Spring 1050	14033	Return Rod Spring
11011	Super 1050 Manual	13561	Lock Ring Insert	14036	Old Powder Bar Return Spring
11061	Crank Shaft	13567	Casefeed Plunger Spring	14037	10-24x3/4 SHCS – Collar Clamp Screw (2)
11062	Crank Arm	13569	Blue Locator Tabs	14067	Die Lock ring
11063	Link Arm	13581	Grease Fittings	14202	Powder Measure Tube Screw
11064	1050 Index Lever Assembly	13593	5/32" Hex Wrench	14517	Swage Station Bushing
11234	Lock Link Assembly	13607	Rocker Bolt Lock Washer	14808	Collar Roller Bushing
11335	Spring Bushing	13611	Casefeed Post Warning Label	14990	Slide Roll Pin Sleeve
11423	Casefeed Funnel 550/650/1050 part	13624	Index Pawl Spring	16699	Spent Primer Cup
11688	Toolhead Ratchet	13644	Small Powder Bar Spacer	17069	Snap Ring
11995	Index Lever rev. 2	13655	5/16 Washer	17071	1050 Roller Handle Assembly
12019	1050 Plunger Set Screw	13664	5/16-18 Nut	17141	1/4" Hardened Washer
12144	Bullet Bin Bracket	13682	Swage Lock Nut 1050	17384	Blue Locator Tab, Short
12184	Swage Die Body – Part	13685	1/4-20x1/2 Bracket Bolt	17604	Bracket Pivot Pin
12260	1050 Box For Shipping	13696	3 Packing Foam Pieces	17808	Casefeed Bowl Insert
12486	Cam Guide Bolt 1/4x20	13701	Index Pawl Pin 3/8	18492	Casefeed Plate, Extra Large Rifle
12572	Toolhead Spring	13705	1050 Index Pawl	20062	Small Powder Bar Assembly
12819	Primer System Push Rod	13719	8-32 x 3/8" BHCS	20063	Large Powder Bar Assembly
12930	Primer Station Retain Tab	13728	1/8" Hex Wrench	20311	1050 Lock Ring Assembly
12972	Toolhead Alignment Rod	13738	#10 Washer for Roller	20313	Swage Rod 1050 – Small
12995	Primer System Tappet	13746	Actuating Lever Cotter Pin	20314	Swage Rod 1050 – Large
13001	New Lever Arm Bracket	13756	1050 Bullet Bin	20317	1050 Primer Slide – Small
13058	Primer System Rocker Arm	13793	Collar Roller	20318	1050 Primer Slide – Large
13064	Swage Cover 1050	13799	Strip Nut	20320	Powder Die
13089	Return Rod Eye Bolt	13801	Tinnerman Insert	20341	1050 Bushing Driver
13091	Alignment Bushing – New	13813	Clutch Spring Washer	20419	1050 Primer System – Small
13108	Primer Slide Stop "B"	13815	Adapter Housing Screw	20420	1050 Toolhead Assembly
13161	Casefeed Cam 1050	13818	Powder Bar Insert – Small	22221	Super 1050 Auto Powder System
13189	1050 Ejector Tab	13827	3/16" Hex Wrench	20476	1050 Primer System – Large
13205	Post Bolts	13840	Hair Pin Cotter	21108	Super 1050 Primer Arm/Cam – Assembly
13226	Rocker Arm Set Screw	13844	Short Lever Spring	20533	Casefeed Tube, small - black label
13238	Bin Bracket	13845	Body Collar Sleeve	20534	Casefeed Tube, large - red label
13244	Crank Retaining Pin (2)	13848	Bellcrank Bushing	20641	Casefeed Mounting Post – Assembly
13245	Primer Swage Adjustment Bolt	13853	Powder Bar Insert – Large	20773	Primer Feed Body/Shield
13262	7/32" Hex Wrench (Short)	13858	Primer Punch Spring 1050	20785	Powder Measure Body
13271	Post Stud	13859	Casefeed Tube Clip	21072	Casefeed Plate – Large Pistol
13276	Index Lever Shoulder Bolt	13871	Bellcrank Cube	21073	Casefeed Plate – Small Pistol
13296	Primer System Rocker Bolt	13882	Powder Measure Lid	21074	Casefeed Plate – Small Rifle
13328	1/4-20 Shoulder Bolt	13886	3/32" Hex Wrench	21075	Casefeed Plate – Large Rifle
13333	Locator Tab Bolt	13888	E-Clip	21275	Body Collar – Complete
13342	Toolhead Bolt	13893	Powder Bar Post – Large	97073	650/1050 Casefeed Assembly (Euro)
13363	Primer Magazine Socket Bolt	13895	10-24 x 3/8" BH Screw (7)	97074	650/1050 Casefeed Assembly
13365	Index Roller	13896	1/4-20 3/8 BH – Ejector Tab Screw		
13376	Ratchet Restriction Tab	13904	Bellcrank Bolt		
13377	Bin Bracket Mount Screw	13921	Powder Bar Spacer Plug		
13417	Swage Connecting Rod	13929	Return Rod Clip		
13419	Swage Rod Lock Nut	13936	Tab/Spring Arm Spring		
13425	1050 Shellplate Nut	13939	Body Collar Clamp – Part		
13432	Crank Handle Lock Screw	13943	Powder Bar Adjustment Screw		
		13944	Indexer Return Spring		

Super 1050 Upper Machine Assembly



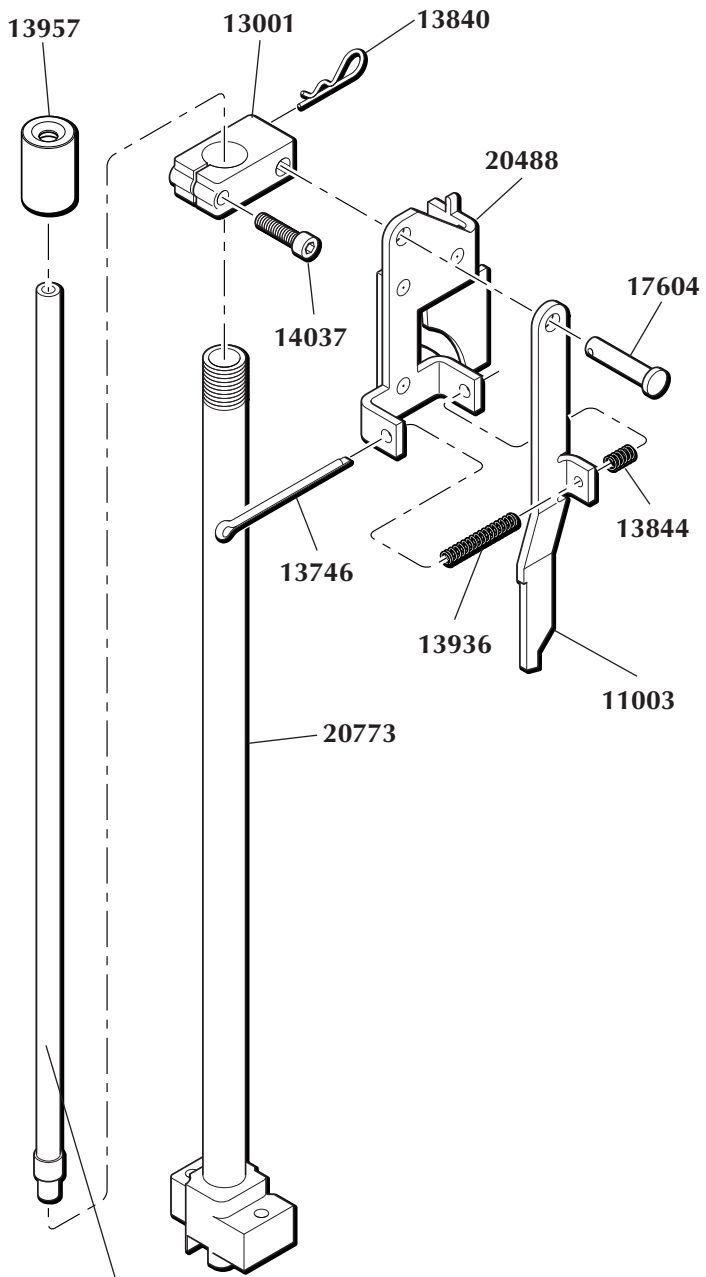
See page 29 for more detail.



* Indicates a caliber specific part - see the caliber conversion charts on pages 24 & 25 for the caliber you are loading.

Primer System Assembly - #21108

Upper

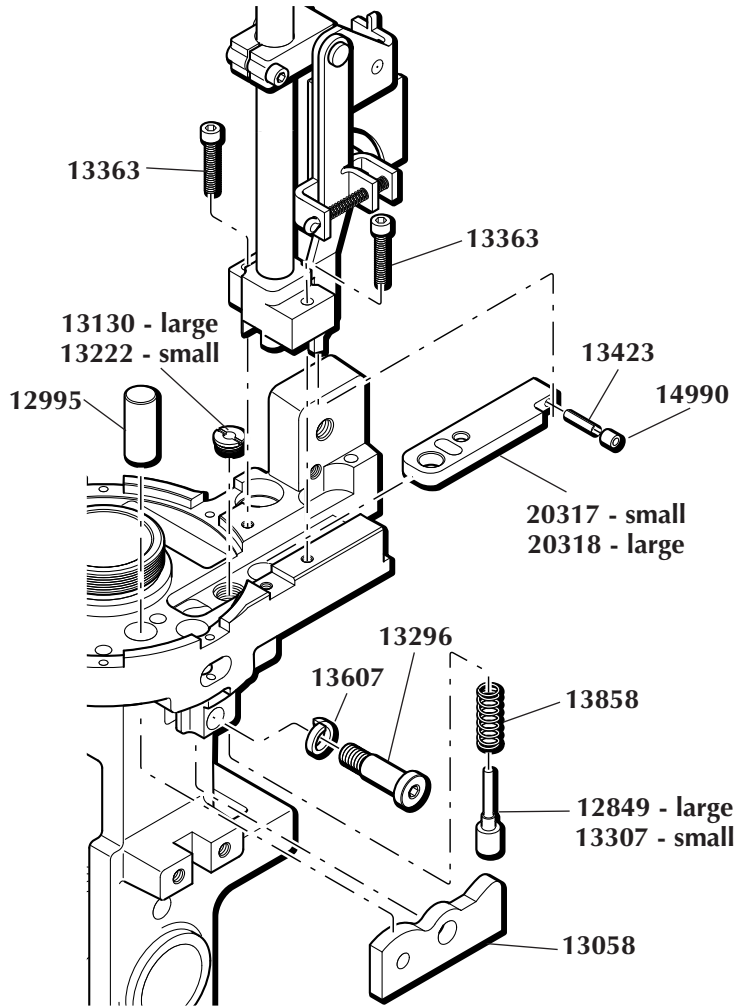


22030 - small
22031 - large

Upper Assembly

Stock	Description
13957	Magazine Shield Cap
20773	Primer Feed Body/Shield
22030	Primer Magazine Tube - Small
22031	Primer Magazine Tube - Large
21145	Primer Arm/Cam Assembly
11003	Slide Actuating Lever
13001	New Lever Arm Bracket
13746	Actuating Lever Cotter Pin
13840	Hair Pin Cotter
13844	Short Lever Spring
13936	Tab/Spring Arm Spring
14037	Clutch/Motor Bolt
17604	Bracket Pivot Pin

Lower

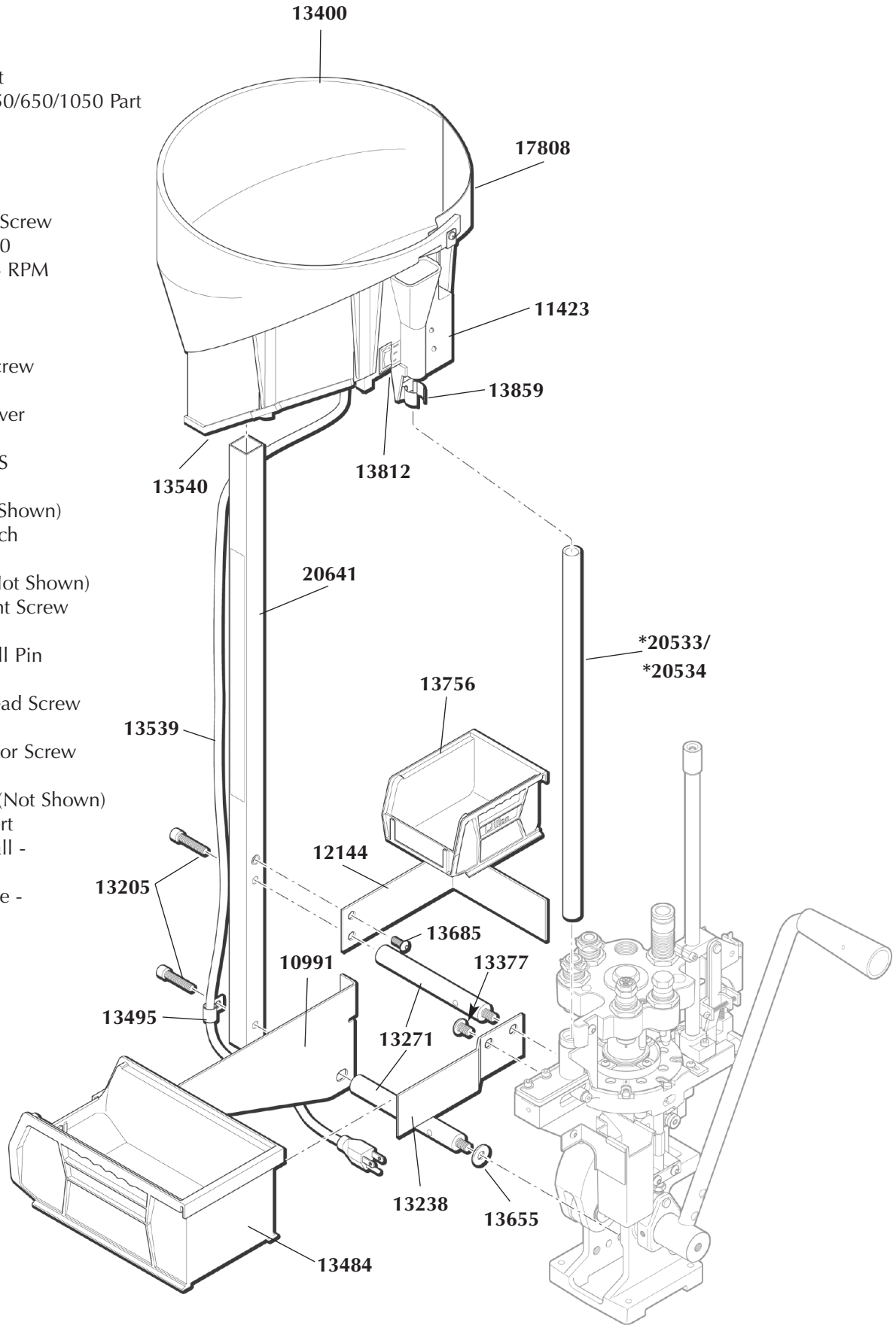


Lower Assembly

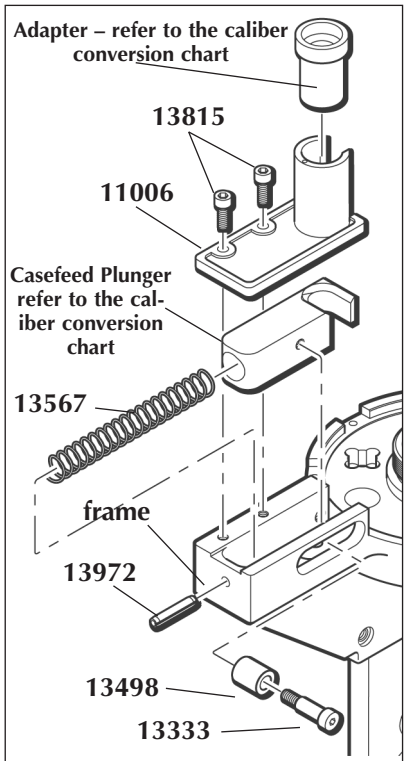
Stock	Description
12849	1050 Primer Punch - Large
12995	Primer System Tappet
13058	Primer System Rocker Arm
13130	Primer Punch Bushing - Large
13222	Primer Punch Bushing - Small
13296	Primer System Rocker Bolt
13307	1050 Primer Punch - Small
13363	Primer Magazine Socket Bolt
13607	Rocker Bolt Lock Washer
13858	Primer Punch Spring 1050
20317	Primer Slide Assembly - Small
13237	Primer Slide 1050 - Small
13423	Roll Pin - 1/8x5/8
14990	Slide Roll Pin Sleeve
20318	Primer Slide Assembly - Large
13105	Primer Slide 1050 - Large
13423	Roll Pin - 1/8x5/8
14990	Slide Roll Pin Sleeve

Super 1050 Casefeeder Assembly

Stock #	Description
10991	Bin Support Bracket
11423	Casefeed Funnel 550/650/1050 Part
12144	Bullet Bin Bracket
13205	Post Bolts
13238	Bin Bracket
13271	Post Stud
13377	Bin Bracket Mount Screw
13400	Casefeed Bowl 1050
13473	Casefeed Motor – 4 RPM (Not Shown)
13484	1050 Cartridge Bin
13495	Lower Cord Clamp
13502	Clamp Retaining Screw
13539	Casefeed Cord Set
13540	Casefeed Motor Cover
13655	5/16 Washer
13685	1/4 - 20 x 5/8 BHCS
13756	Bullet Bin
13779	Micro-Switch (Not Shown)
13812	Lighted Power Switch
13859	Casefeed Tube Clip
13895	10-24 BH Screw (Not Shown)
13954	Micro-Switch Mount Screw (Not Shown)
14022	Casefeed Motor Roll Pin (Not Shown)
14023	10-24 5/8 Buttonhead Screw (Not Shown)
14026	8-32x1/2 Bowl/Motor Screw (Not Shown)
15433	Casefeed Port Cuff (Not Shown)
17808	Casefeed Bowl Insert
20533	Casefeed Tube, small - black label
20534	Casefeed Tube, large - red label
20641	Casefeed Mounting Post Assembly

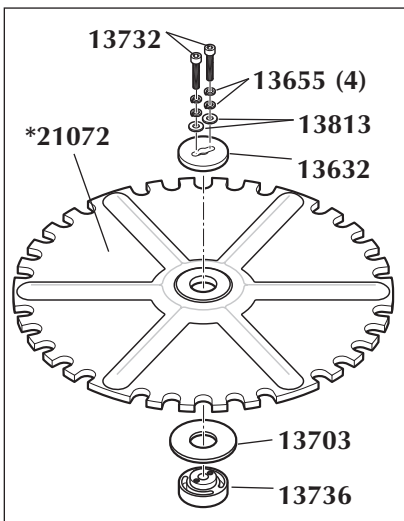


Super 1050 Casefeed Subassemblies



Item A - Casefeed Frame Assembly

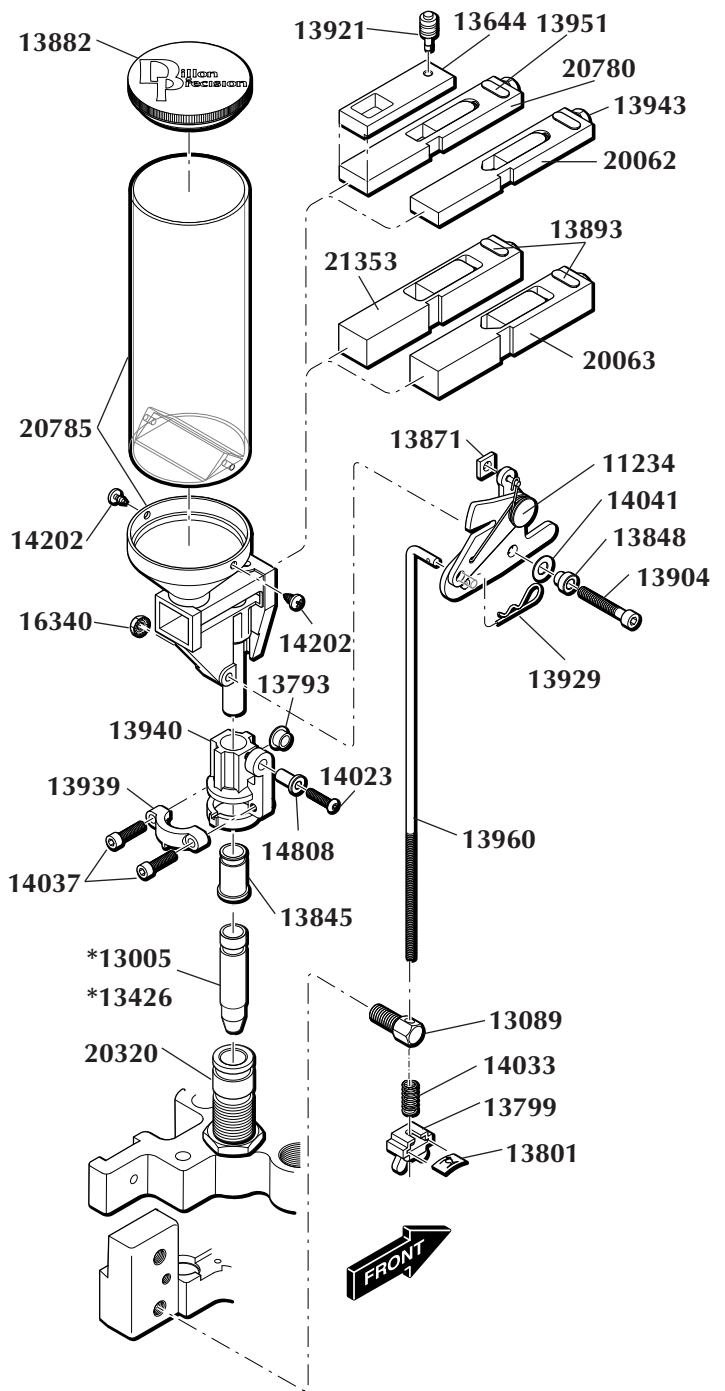
Stock #	Description
13333	Bolt (Locator Tab)
13498	Plunger Roller
11006	Adapter Housing
13567	Casefeed Plunger Spring
13815	Adapter Housing Screw
13972	3/16 Roll Pin



Casefeeder Clutch Assembly

Stock #	Description
13632	Upper Clutch
13655	5/16 Washer
13703	Spacer (.41, .44, .45LC, .357, .30 Carbine)
13732	Clutch/Motor Bolt
13736	Lower Clutch
13813	Clutch Spring Washer
*21072	Casefeed Plate (Large Pistol)
*21073	Casefeed Plate (Small Pistol)
*21074	Casefeed Plate (Small Rifle)
*18420	Casefeed Plate (XL Rifle)

Powder Measure Assembly - #20421



Stock #	Description
11234	Lock Link Assembly
*13005	Powder Activator, Pistol
13089	Return Rod Eye Bolt
*13426	Powder Funnel "A", Rifle
13644	Small Powder Bar Spacer
13793	Collar Roller
13799	Blue Strip Nut
13801	Tinnerman Insert
13818	Powder Bar Insert, Small
13845	Collar Sleeve
13848	Bellcrank Bushing
13853	Powder Bar Insert, Large
13871	Bellcrank Cube
13882	Powder Measure Lid
13893	Powder Bar Post, Large
13904	Bellcrank Bolt
13921	Powder Measure Plug
13929	Return Rod Clip
13939	Collar Clamp
13940	Body Collar Housing - Part

Stock #	Description
13943	Powder Bar Adjust. Screw
13951	Powder Bar Post, Small
13958	Powder Bar Bolt Washer
13960	Powder Bar Return Rod - Part
14023	8-32x3/4 BH Screw
14033	Return Rod Spring
14037	Collar Clamp Screw
14041	Bowed Washer
14202	Powder Measure Tube Screw
14808	Collar Roller Bushing
16340	10-32 Nylon Lock Nut
20062	Powder Bar, Small
20063	Powder Bar, Large
20320	Powder Die
20780	Powder Bar, Extra Small
20785	Powder Measure Body
21275	Body Collar - Complete
21353	Powder Bar, Magnum

* Indicates a caliber specific part - see the caliber conversion charts on pages 24 & 25 for the caliber you are loading for.