

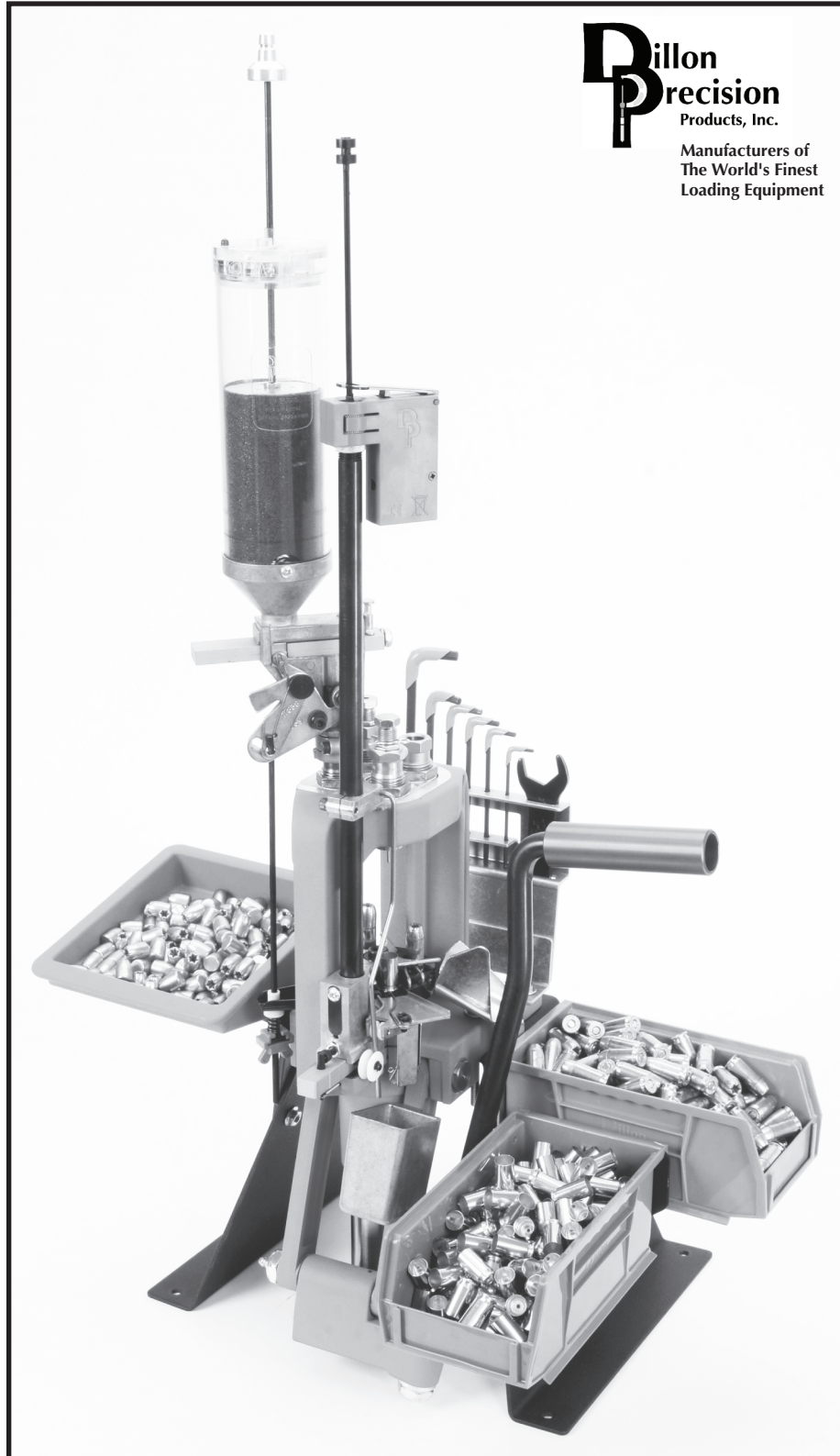


Dillon RL 550C

Instruction Manual

May 2017

Dillon
Precision
Products, Inc.
Manufacturers of
The World's Finest
Loading Equipment



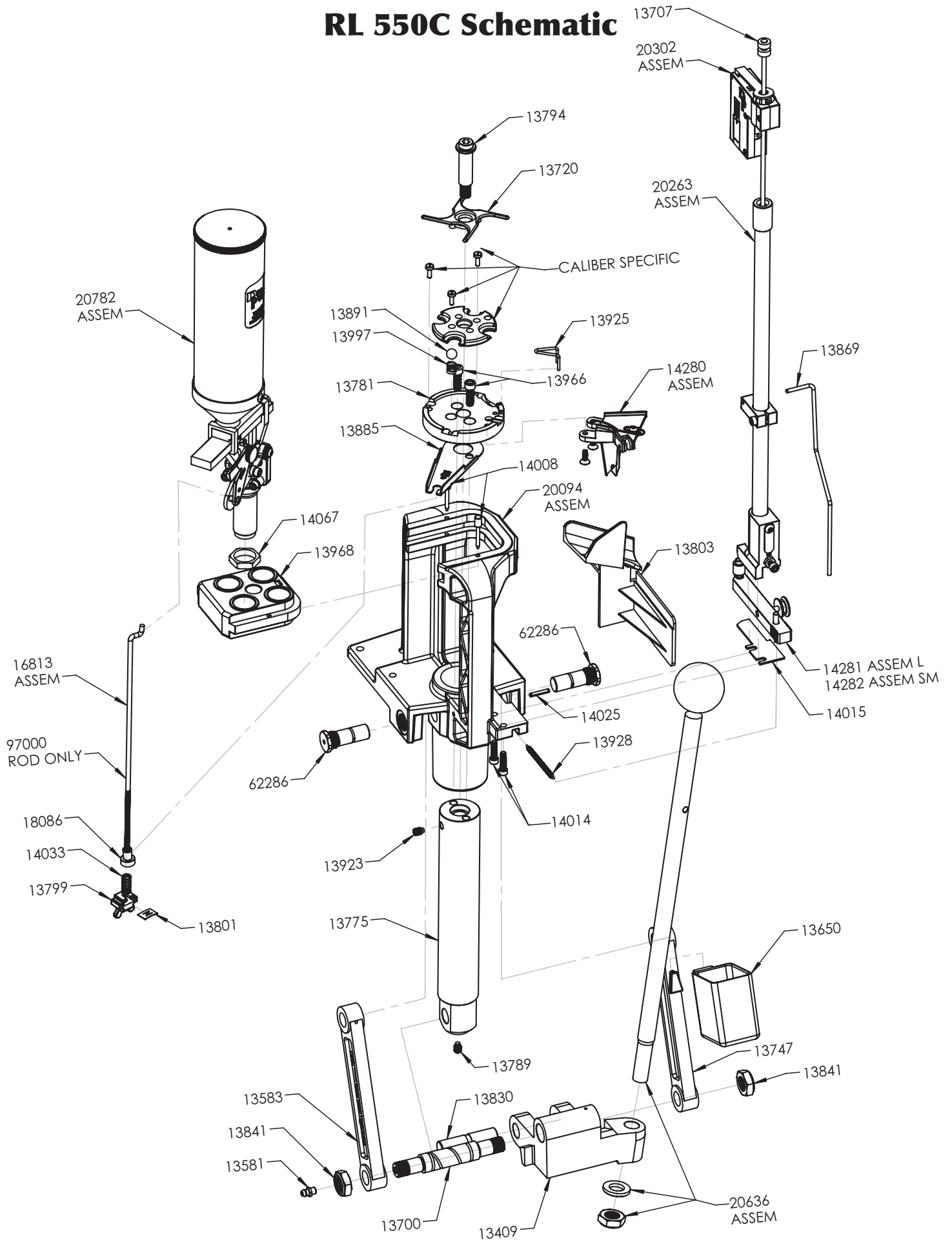
RL 550C Parts List

Part #	Description
13149	Instruction Manual
13409	Crank
13581	Grease Fitting
13583	Link Arm, Left
13644	Powder Bar Spacer
13650	Spent Primer Cup
13691	Powder Measure Tube
13700	Link Arm Pin
13704	Handle Washer
13707	Follower Rod
13719	Cartridge Spring Retainer Screw
13720	Index Sprocket
13747	Link Arm, Right w/Hook
13757	Primer Seating Punch, Small
13765	Roller
13775	Main Shaft
13781	Shellplate Platform
13789	1/4-2/8 Set Screw
13793	Roller
13794	Shellplate Bolt
13799	Stripper Wing Nut
13801	Tinnerman Nut Insert
13803	Ejected Cartridge Chute Bracket
13824	Primer Seating Cup, Large
13825	Primer Seating Cup, Small
13830	Main Shaft Pivot Pin
13839	Cartridge Collection Bin
13841	Nylock Nut
13845	Collar Sleeve
13848	Bellcrank Bushing
13850	Operating Handle Knob
13857	Battery Cover
13864	Switch Lever
13869	Operating Rod
13871	Bellcrank Cube
13882	Powder Measure Lid
13885	Return Bracket
13887	Operating Rod Bracket
13889	Primer Slide Roller
13890	Spring Washer
13891	Index Ball
13893	Powder Bar Post, Large
13898	Primer Slide Stop Nut
13899	Spent Primer Catcher Chute
13904	Bellcrank Bolt, New Style
13917	Roller Clip
13919	Slide Roller Post
13920	Primer Slide
13921	Powder Bar Spacer Plug
13923	Brass Tip Set Screw
13924	Slide Post
13925	Ejector Wire
13926	Cartridge Spring
13928	Primer Slide Return Spring
13939	Body Collar Clamp
13940	Body Collar - Part
13943	Powder Bar Bolt
13951	Powder Bar Post, Small
13957	Magazine Shield Cap
13958	Powder Bar Bolt Washer
13961	Slide Pickup Adjustment Screw
13964	Retain Spring Screw
13966	Shellplate Platform Bolt
13967	Primer Seating Punch, Large
13968	Toolhead
13979	Primer Retain Pin Spring
13996	Primer Punch Set Screw
13997	Index Ball Spring
13998	Spent Primer Catcher Pin
13999	Primer Pickup Tip, Yellow, Small
14001	Roller Pin
14003	Flexible Orifice, Red, Large
14008	Toolhead Pin
14010	Primer Pickup Tip, Green, Large
14013	Roller Bracket Screw
14014	Primer Housing Screw
14015	Primer Track Bearing
14023	8-32x3/4 BH Screw
14024	Flexible Orifice, Blue, Small
14025	Primer Slide Return Spring Retainer
14033	Spring
14037	Clamp/Bracket Screw
14040	Retaining Clip
14051	Primer Retaining Pin
14067	Die Lock Ring
14202	Powder Measure Tube Screw
14280	Roller Bracket Shell Platform
14281	Primer Slide Assembly, Large
14282	Primer Slide Assembly, Small
16813	Failsafe Rod Assembly
17085	Dispensing Tip, Large
17086	Dispensing Tip, Small
18086	Failsafe Bushing
20062	Powder Bar Assembly, Small
20063	Powder Bar Assembly, Large
20064	Powder Die
* 20093	Shellplate
20094	Frame Assembly
20263	Primer Feed Body w/ Shield
20302	Primer Early Warning System
20303	Powder Measure Failsafe Kit
20636	Operating Handle Assembly
20782	Powder Measure System
21275	Connector Body Collar
22028	Primer Pickup Tube, Yellow, Small
22029	Primer Pickup Tube, Green, Large
22030	Primer Magazine, Blue, Small
22031	Primer Magazine, Red, Large
22273	Powder Body w/ Drop Tube
62286	Threaded Link Arm Pin
97000	Failsafe Rod

* Indicates caliber-specific parts. See the caliber conversion chart for the correct part number for the caliber you are loading.

Some items listed are not shown in schematic illustration.

RL 550C Schematic



RL 550B Automatic Powder System

- 13426 * Powder Funnel, .45 cal Pistol
- 13644 Powder Bar Spacer
- 13691 Powder Measure Tube Only
- 13782 * Powder Funnel, .22 cal Rifle
- 13848 Bellcrank Bushing
- 13871 Bellcrank Cube
- 13882 Powder Measure Lid
- 13893 Powder Bar Post, Large
- 13904 Bellcrank Screw
- 13921 Plastic Plug
- 13943 Powder Bar Bolt
- 13951 Powder Bar Post, Small
- 13958 Powder Bar Bolt Washer

(not shown)

- 14041 Bowed Washer
- 14067 Die Lock Ring
- 14202 Powder Measure Tube Screws
- 16340 10-32 Nylon Lock Nut
- 20062 Powder Bar Assembly, Small
- 20063 Powder Bar Assembly, Large
- 20064 Powder Die - small
- 20780 Powder Bar Assembly, Extra Small
- 21253 Powder Die - large (not shown)
- 21275 Connector Body Collar - Complete
- 21353 Powder Bar Assembly, Magnum
- 22273 Powder Measure, Part
- 97034 Slotted Bellcrank

16813 Failsafe Rod Assembly

- 13799 Stripper Wing Nut
- 13801 Tinnerman Nut Insert
- 14033 Rod Spring
- 18086 Shoulder Washer
- 97000 Failsafe Rod

21275 Connector Body Collar Assembly

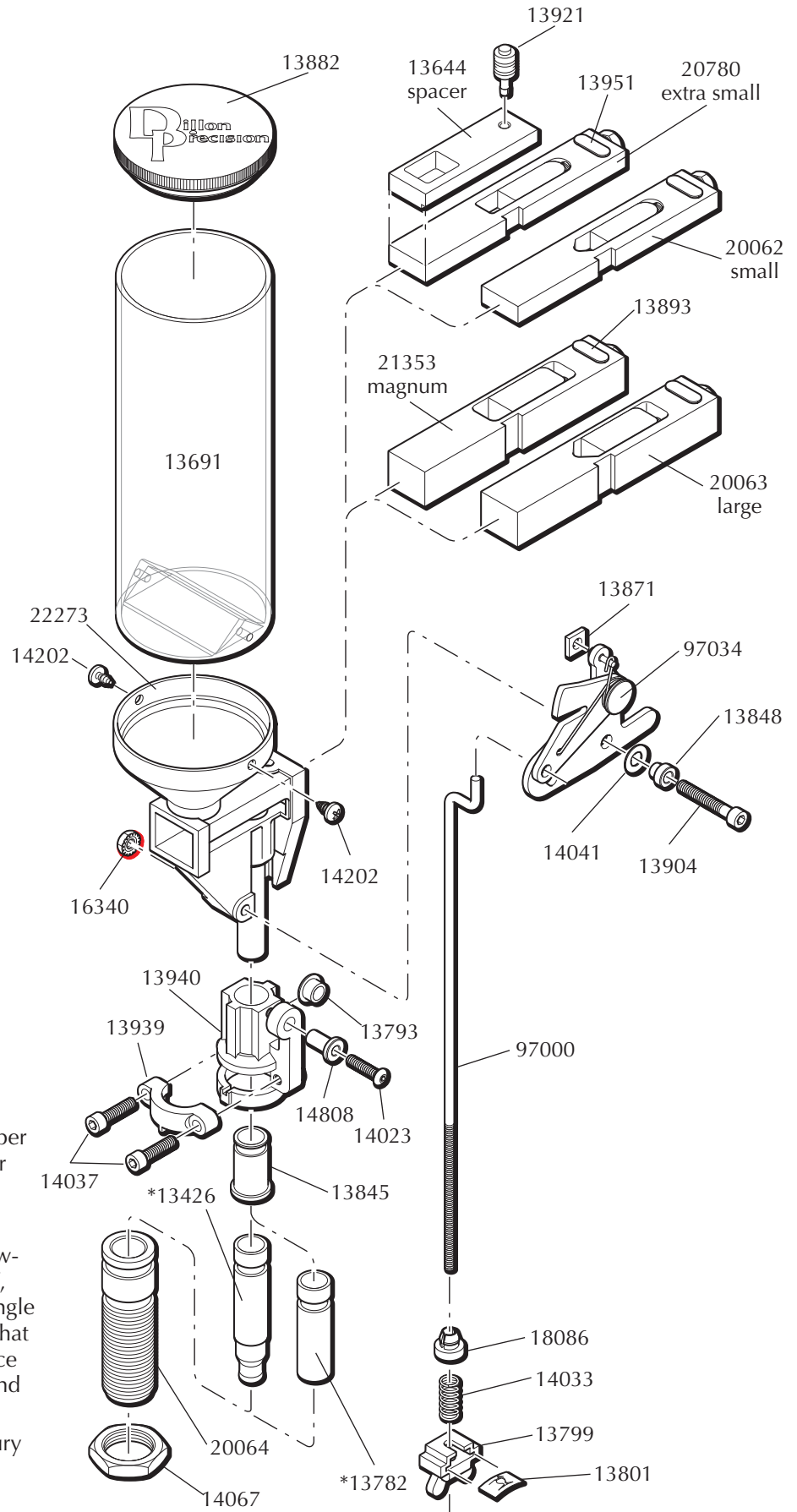
- 13939 Body Collar Clamp
- 13940 Body Collar - Part
- 13793 Roller
- 14808 Collar Roller Bushing
- 14023 8-32x3/4 BH Screw
- 13845 Collar Sleeve
- 14037 Clamp/Bracket Screw

* Indicates caliber specific parts – see the caliber conversion chart for the correct part number for the caliber you are loading for.

WARNING

This powder measure drops a full charge of powder each time the operating handle is cycled. If, for any reason, you believe that more than a single measure of powder was dropped or you think that you may have cycled the handle more than once on a single case, you need to empty the case and start over.

A double charged case can result in bodily injury or a damaged firearm.



RL 550C Automatic Primer System

- 13757 Primer Seating Punch, Small
- 13824 Primer Seating Cup, Large
- 13825 Primer Seating Cup, Small
- 13869 Operating Rod
- 13887 Operating Rod Bracket
- 13889 Large Roller
- 13898 Primer Slide Stop Nut
- 13917 Roller Clip
- 13919 Roller Pin
- 13920 Primer Slide
- 13924 Primer Slide Return Spring Post
- 13957 Primer Shield Cap
- 13961 Slide Pickup Adjustment Screw
- 13964 Primer Feed Stop Spring Screw
- 13967 Primer Seating Punch, Large
- 13979 Primer Feed Stop Spring
- 13996 Primer Punch Set Screw
- 14033 Primer Seating Cup Spring
- 14037 Clamp/Bracket Screw
- 14051 Primer Feed Stop Pin
- 20263 Primer Housing and Shield

22028 Small Primer Pickup Tube Assembly

- 13999 Pickup Tube Tip Small
- 14040 Retaining Clip
- 17086 Dispensing Tip, Small

22029 Large Primer Pickup Tube Assembly

- 14010 Pickup Tube Tip Large
- 14040 Retaining Clip
- 17085 Dispensing Tip, Large

22030 Small Primer Magazine Tube Assembly

- 14024 Flexible Orifice Small

22031 Large Primer Magazine Tube Assembly

- 14003 Flexible Orifice Large

20302 Primer Early Warning System

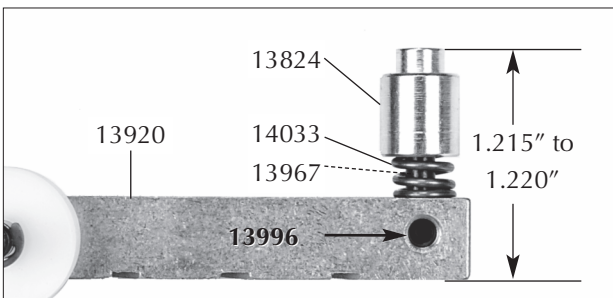
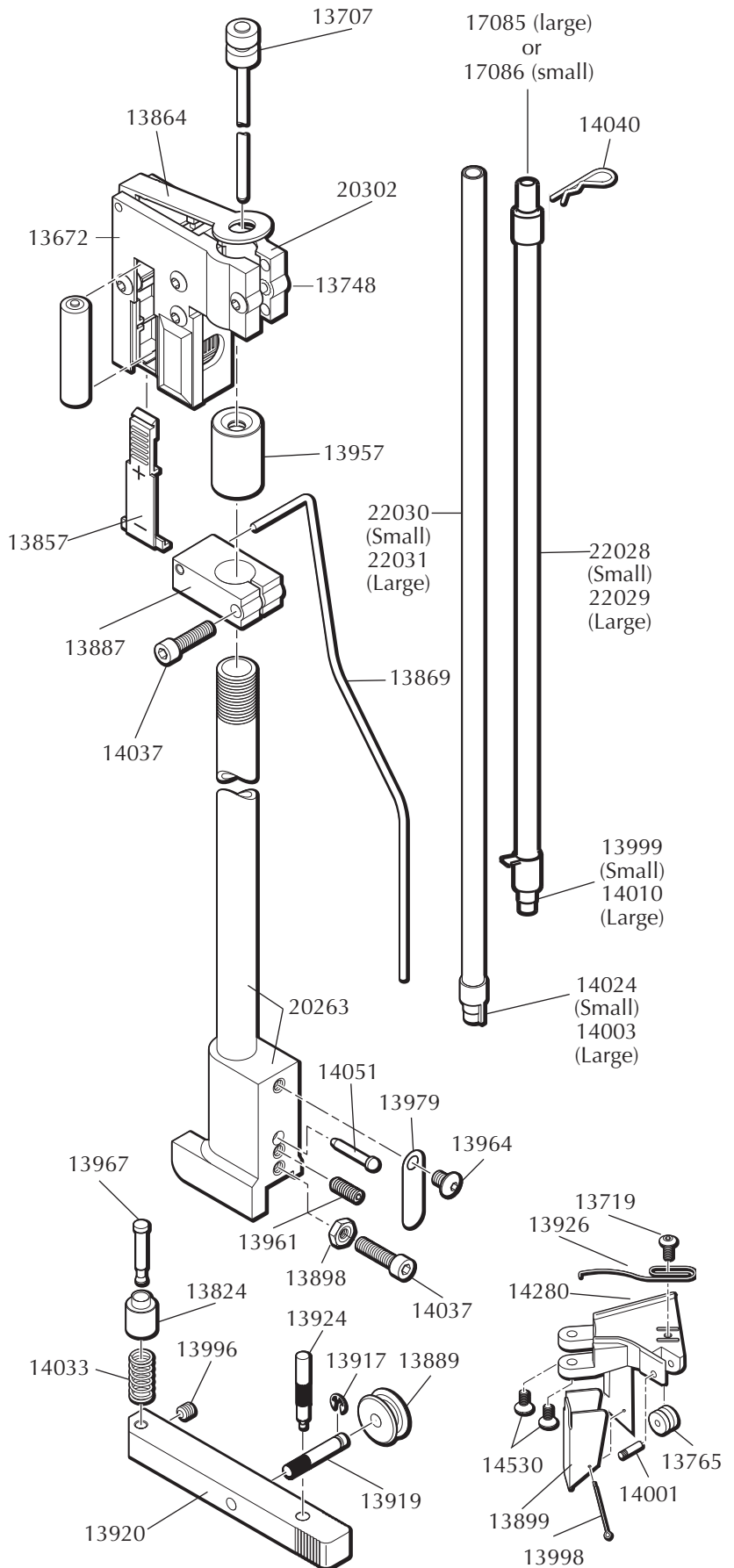
- 13707 Follower Rod
- 13857 Battery Cover
- 13864 Switch Lever

14280 Roller Bracket Assembly

- 13719 Cartridge Spring Retaining Screw
- 13765 Roller
- 13899 Spent Primer Catcher Chute
- 13926 Cartridge Spring
- 13998 Spent Primer Catcher Pin
- 14001 Roller Pin
- 14530 Roller Bracket Screw(s)

Complete Primer Slide Assemblies

- 14281 Primer Slide Assembly, Large
- 14282 Primer Slide Assembly, Small





RL 450, RL 550, 550B & 550C Caliber Conversion Chart

Kits include shellplate, locator buttons and flow-thru powder funnel.

Handgun-Caliber Conversions

.22 Remington Jet - # 20165

#2 Shellplate - # 13751
#A Powder Funnel - # 13426
#2 Locator Button - # 14062

.22 TCM - # 62217

#3 Shellplate - # 13684
22 TCM Powder Funnel - # 62216
#3 Locator Button - # 14060

.30 Luger, .30 Mauser - # 20175

#5 Shellplate - # 13743
#C Powder Funnel - # 13564
#3 Locator Button - # 14060

.32 ACP, .32 Short Colt - # 20160

#J Shellplate - # 13136
#S Powder Funnel - # 12845
#8 Locator Button - # 14048

.32 S&W Long, .32 H&R Magnum - # 20146

#D Shellplate - # 13092
#S Powder Funnel - # 12845
#3 Locator Button - # 14060

.32-20 Winchester - # 20177

#O Shellplate - # 12013
#S Pistol Powder Funnel - # 12845
#3 Locator Button - # 14060

.380 ACP - # 20133

#3 Shellplate - # 13684
#F Powder Funnel - # 13806
#3 Locator Button - # 14060

9x18 Makarov - # 21656

#5 Shellplate - # 13743
#9 Powder Funnel - # 14980
#3 Locator Button - # 14060

9mm, .38 Super - # 20127

#5 Shellplate - # 13743
#F Powder Funnel - # 13806
#3 Locator Button - # 14060

9x25 Dillon, .357 Sig - # 21526

#5 Shellplate - # 13743
#F Powder Funnel - # 13806
#2 Locator Button - # 14062

.38 S&W - # 20159

#U Shellplate - # 12944
#F Powder Funnel - # 13806
#2 Locator Button - # 14062

.38 AMU - # 20278

#O Shellplate - # 12013
#D Powder Funnel - # 13599
#3 Locator Button - # 14060

.38 Special, .357 Mag, .38 Long Colt - # 20132

#2 Shellplate - # 13751
#D Powder Funnel - # 13599
#2 Locator Button - # 14062

.38-40 Winchester - # 20178

#N Shellplate - # 10004
#W Pistol Powder Funnel - # 13600
#4 Locator Button - # 14047

.40 S&W, 10mm - # 20179

#5 Shellplate - # 13743
#W Powder Funnel - # 13600
#2 Locator Button - # 14062

.40 Super, .400 CorBon - # 20129

#1 Shellplate - # 13692
#W Powder Funnel - # 13600
#1 Locator Button - # 13930

.41 Action Express - # 20277

#5 Shellplate - # 13743
#H Powder Funnel - # 13240
#3 Locator Button - # 14060

.41 Magnum - # 20135

#6 Shellplate - # 13120
#H Powder Funnel - # 13240
#1 Locator Button - # 13930

.44-40 Winchester - # 20206

#N Shellplate - # 10004
#.44-40 Pistol Powder Funnel - # 13474
#4 Locator Button - # 14047

.44 Magnum, Special, Russian, Colt - # 20136

#4 Shellplate - # 13610
#G Powder Funnel - # 13427
#4 Locator Button - # 14047

.45 ACP, .45 GAP - # 20126

#1 Shellplate - # 13692
#E Powder Funnel - # 13782
#D Locator Button - # 13930

.45 Auto Rim - # 20158

#H Shellplate - # 13010
#E Powder Funnel - # 13782
#4 Locator Button - # 14047

.45 Colt, .45 S&W, .454 Casull, .455 Webley - # 20137

#C Shellplate - # 13334
#E Powder Funnel - # 13782
#4 Locator Button - # 14047

.45 Winchester Magnum - # 20221

#L Shellplate - # 12703
#E Powder Funnel - # 13782
#1 Locator Button - # 13930

.460 S&W - # 20888

#C Shellplate - # 13334
#.460 S&W Powder Funnel - # 18949
#4 Locator Button - # 14047

.475 Linebaugh, .480 Ruger - # 20116

#G Shellplate - # 13313
#.475/.480 Ruger Powder Funnel - # 10723
#7 Locator Button - # 13436
(Requires Extra Large Powder Die - # 21253)

.50 Action Express - # 21428

#50 Shellplate - # 13147
#.50 Action Express Powder Funnel - # 14465
#4 Locator Button - # 14047
(Requires Extra Large Powder Die - # 21253)

.500 S&W Magnum - # 20121

#B Shellplate - # 13347
#.50 Action Express Powder Funnel - # 14465
#6 Locator Button - # 15755
(Requires Extra Large Powder Die - # 21253)

Rifle-Caliber Conversions

.17 Remington - # 20203

#3 Shellplate - # 13684
#O Powder Funnel - # 12921
#3 Locator Button - # 14060

.204 Ruger - # 20307

#3 Shellplate - # 13684
#.204 Ruger Rifle Powder Funnel - # 20322
#3 Locator Button - # 14060

.218 Bee - # 20151

#O Shellplate - # 12013
#A Powder Funnel - # 13426
#3 Locator Button - # 14060

.219 Zipper, .22 Savage Hi-Power - # 20180

#7 Shellplate - # 12501
#A Powder Funnel - # 13426
#4 Locator Button - # 14047

.22 Bench Rest, .22-250 - # 20145

#1 Shellplate - # 13692
#A Powder Funnel - # 13426
#1 Locator Button - # 13930

.22 Hornet - # 20150

#E Shellplate - # 12957
#A Powder Funnel - # 13426
#8 Locator Button - # 14048

.22 PPC - # 20182

#A Shellplate - # 13211
#A Powder Funnel - # 13426
#2 Locator Button - # 14062

.220 Swift, .225 Winchester - # 20154

#L Shellplate - # 12703
#L Powder Funnel - # 10831
#1 Locator Button - # 13930

.221, .222, .223 Remington, .22 Nosler - # 20128

#3 Shellplate - # 13684
#A Powder Funnel - # 13426
#3 Locator Button - # 14060

.223 WSSM - # 20676

#B Shellplate - # 13347
#.223 Short Magnum Rifle Powder Funnel - # 18417
#6 Locator Button - # 15755
(Requires Extra Large Powder Die - # 21253)

.224 Weatherby Magnum - # 20235

#A Shellplate - # 13211
#A Powder Funnel - # 13426
#2 Locator Button - # 14062

.243, .244, 6mm, .240 Wby - # 20192

#1 Shellplate - # 13692
#1 Powder Funnel - # 13305
#1 Locator Button - # 13930

.243 WSSM - # 20316

#B Shellplate - # 13347
#.243 Short Magnum Rifle Powder Funnel - # 11156
#6 Locator Button - # 15755
(Requires Extra Large Powder Die - # 21253)

6mm Bench Rest - # 20276

#1 Shellplate - # 13692
#6 PPC Rifle Powder Funnel - # 13085
#1 Locator Button - # 13930

6mm PPC - # 20265

#A Shellplate - # 13211
#6 PPC Rifle Powder Funnel - # 13085
#2 Locator Button - # 14062

6mm TCU - # 20252

#3 Shellplate - # 13684
#6 PPC Rifle Powder Funnel - # 13085
#3 Locator Button - # 14060

.25 Remington - # 20233

#R Shellplate - # 13497
#K Powder Funnel - # 13216
#2 Locator Button - # 14062

.25 WSSM - # 20315

#B Shellplate - # 13347
#.25 Short Magnum Rifle Powder Funnel - # 11157
#6 Locator Button - # 15755
(Requires Extra Large Powder Die - # 21253)

.25-20 Winchester - # 20176

#O Shellplate - # 12013
#R Powder Funnel - # 13243
#3 Locator Button - # 14060





RL 450, RL 550, 550B & 550C Caliber Conversion Chart

Kits include shellplate, locator buttons and flow-thru powder funnel.

.25-06, .250, .257 Roberts, Ackley - # 20147

#1 Shellplate - # 13692
#K Powder Funnel - # 13216
#1 Locator Button - # 13930

.25-35 Winchester - # 20197

#7 Shellplate - # 12501
#K Powder Funnel - # 13216
#4 Locator Button - # 14047

.256 Winchester Magnum - # 20215

#2 Shellplate - # 13751
#R Powder Funnel - # 13243
#4 Locator Button - # 14047

.257 Weatherby Magnum - # 20199

#B Shellplate - # 13347
#K Powder Funnel - # 13216
#4 Locator Button - # 14047

.264 Win Mag, 6.5 Rem - # 20210

#B Shellplate - # 13347
#Y Powder Funnel - # 12870
#4 Locator Button - # 14047

6.5 x 54 Man-Scho - # 20208

#M Shellplate - # 13230
#Y Powder Funnel - # 12870
#2 Locator Button - # 14062

6.5 Arisaka - # 20209

#L Shellplate - # 12703
#Y Powder Funnel - # 12870
#1 Locator Button - # 13930

6.5 Creedmoor - # 62246

#M Shellplate - # 13230
#6.5 Grendel Powder Funnel - # 18947
#1 Locator Button - # 13930

6.5 Grendel - # 20894

#A Shellplate - # 13211
#6.5 Grendel Powder Funnel - # 18947
#2 Locator Button - # 14062

6.5 x 55, 6.5 x 57, .260 Rem - # 20207

#1 Shellplate - # 13692
#Y Powder Funnel - # 12870
#1 Locator Button - # 13930

6.5 x 57R - # 20269

#N Shellplate - # 10004
#Y Powder Funnel - # 12870
#4 Locator Button - # 14047

6.5 x 68 - # 20267

#P Shellplate - # 13134
#Y Powder Funnel - # 12870
#4 Locator Button - # 14047

6.8 SPC - # 20323

#R Shellplate - # 13497
#N Powder Funnel - # 13014
#2 Locator Button - # 14062

.270 Win, 7 x 57, .284 Win - # 20142

#1 Shellplate - # 13692
#J Powder Funnel - # 13456
#1 Locator Button - # 13930

.270 WSM, 7mm WSM, 7mm RSAUM - # 20122

#B Shellplate - # 13347
#7mm Short Magnum Powder Funnel - # 18416
#6 Locator Button - # 15755
(Requires XL Powder Die # 21253)
(Requires Magnum Powder Bar # 21353)

.28 Nosler - # 62293

#B Shellplate - # 13347
#7mm Short Magnum Powder Funnel - # 18416
#4 Locator Button - # 14047
(Requires Magnum Powder Bar # 21353)
(Requires Extra Large Powder Die - # 21253)

7mm Merrill - # 20230

#L Shellplate - # 12703
#N Rifle Powder Funnel - # 13014
#1 Locator Button - # 13930

7mm TCU - # 20141

#3 Shellplate - # 13684
#N Rifle Powder Funnel - # 13014
#3 Locator Button - # 14060

7-30 Waters - # 20223

#7 Shellplate - # 12501
#N Rifle Powder Funnel - # 13014
#4 Locator Button - # 14047

7mm Bench Rest - # 20216

#1 Shellplate - # 13692
#N Powder Funnel - # 13014
#1 Locator Button - # 13930

7 x 57 R, 7 x 65 R - # 20268

#N Shellplate - # 10004
#J Powder Funnel - # 13456
#4 Locator Button - # 14047

7mm Rem Mag, 7mm STW - # 20140

#B Shellplate - # 13347
#J Powder Funnel - # 13456
#4 Locator Button - # 14047
(Requires Magnum Powder Bar # 21353)

7mm RUM - # 20682

#B Shellplate - # 13347
#7mm Magnum Powder Funnel - # 15019
#6 Locator Button - # 15755
(Requires Extra Large Powder Die # 21253)
(Requires Belted Magnum Powder System # 97126)

7.5 x 55 - # 20432

#L Shellplate - # 12703
#B Powder Funnel - # 13587
#1 Locator Button - # 13930

.30 AR - # 62254

#L Shellplate - # 12703
#AK Rifle Powder Funnel - # 13015
#1 Locator Button - # 13930

.30 Herrett - # 20214

#7 Shellplate - # 12501
#AK Rifle Powder Funnel - # 13015
#4 Locator Button - # 14047

.30 Nosler - # 62294

#B Shellplate - # 13347
#.300 Short Magnum Powder Funnel - # 18415
#4 Locator Button - # 14047
(Requires Magnum Powder Bar # 21353)
(Requires Extra Large Powder Die - # 21253)

.30 Merrill - # 20231

#L Shellplate - # 12703
#AK Rifle Powder Funnel - # 13015
#1 Locator Button - # 13930

.30 M1 Carbine - # 20131

#8 Shellplate - # 13135
#C Powder Funnel - # 13564
#8 Locator Button - # 14048

.30R Blaser - # 20270

#C Shellplate - # 13334
#B Powder Funnel - # 13587
#4 Locator Button - # 14047

.30 Remington, .32 Remington - # 20184

#R Shellplate - # 13497
#B Powder Funnel - # 13587
#2 Locator Button - # 14062

.30-30 Winchester, .32 Win. Special - # 20139

#7 Shellplate - # 12501
#B Powder Funnel - # 13587
#4 Locator Button - # 14047

.30-40 Krag - # 20185

#P Shellplate - # 13134
#B Powder Funnel - # 13587
#4 Locator Button - # 14047

.30-378, .300 Dakota - # 20249

#G Shellplate - # 13313
#.30 Cal. Long Magnum Powder Funnel - # 15013
#7 Locator Button - # 13436
(Requires Belted Magnum Powder System # 97126)

.300 RCM - # 62255

#B Shellplate - # 13347
#B Rifle Powder Funnel - # 13587
#4 Locator Button - # 14047

.300 RUM - # 20239

#B Shellplate - # 13347
#.30 Cal. Long Magnum Powder Funnel - # 15013
#7 Locator Button - # 13436
(Requires Extra Large Powder Die # 21253)
(Requires Belted Magnum Powder System # 97126)

.300 Savage - # 20190

#1 Shellplate - # 13692
#AK Powder Funnel - # 13015
#1 Locator Button - # 13930

.300 Whisper - # 20236

#3 Shellplate - # 13684
#AK Rifle Powder Funnel - # 13015
#3 Locator Button - # 14060

.300 Winchester Magnum - # 20188

#B Shellplate - # 13347
#B Powder Funnel - # 13587
#4 Locator Button - # 14047
(Requires Magnum Powder Bar # 21353)

.300 WSSM, .300 RSAUM - # 20243

#B Shellplate - # 13347
#.300 Short Magnum Powder Funnel - # 18415
#6 Locator Button - # 15755
(Requires XL Powder Die # 21253)
(Requires Magnum Powder Bar # 21353)

.307 Winchester - # 20237

#L Shellplate - # 12703
#B Powder Funnel - # 13587
#1 Locator Button - # 13930

.308/.30-06 - # 20130

#1 Shellplate - # 13692
#B Powder Funnel - # 13587
#1 Locator Button - # 13930

.308 Marlin Express - # 62250

#1 Shellplate - # 13692
#AK Rifle Powder Funnel - # 13015
#1 Locator Button - # 13930

7.62 x 39mm - # 20213

#A Shellplate - # 13211
#AK Rifle Powder Funnel - # 13015
#2 Locator Button - # 14062

7.62 x 54R - # 20346

#G Shellplate - # 13313
#B Powder Funnel - # 13587
#7 Locator Button - # 13436

.303 British - # 20183

#4 Shellplate - # 13610
#B Powder Funnel - # 13587
#4 Locator Button - # 14047





RL 450, RL 550, 550B & 550C Caliber Conversion Chart

Kits include shellplate, locator buttons and flow-thru powder funnel.

8 x 57mm Mauser - # 20201

#1 Shellplate - # 13692
#M Powder Funnel - # 12963
#1 Locator Button - # 13930

8 x 57JRS - # 20271

#N Shellplate - # 10004
#M Powder Funnel - # 12963
#4 Locator Button - # 14047

8 x 57R - # 20201

#N Shellplate - # 10004
#M Powder Funnel - # 12963
#4 Locator Button - # 14047

8 x 68mm - # 20272

#P Shellplate - # 13134
#M Powder Funnel - # 12963
#4 Locator Button - # 14047

8mm Remington Magnum - # 20155

#B Shellplate - # 13347
#M Powder Funnel - # 12963
#4 Locator Button - # 14047
(Requires Magnum Powder Bar # 21353)

.325 WSM - # 20891

#B Shellplate - # 13347
#.325 WSM Powder Funnel - # 18948
#6 Locator Button - # 15755
(Requires XL Powder Die # 21253)
(Requires Magnum Powder Bar # 21353)

.33 Nosler - # 62295

#B Shellplate - # 13347
#.338 Powder Funnel - # 15012
#4 Locator Button - # 14047
(Requires Magnum Powder Bar # 21353)
(Requires Extra Large Powder Die - # 21253)

.33 Winchester - # 20202

#G Shellplate - # 13313
#Q Powder Funnel - # 13406
#7 Locator Button - # 13436
(Requires Magnum Powder Bar # 21353)

.338 Marlin Express - # 62251

#B Shellplate - # 13347
#P Rifle Powder Funnel - # 13187
#4 Locator Button - # 14047

.338 Winchester, .340 Weatherby - # 20156

#B Shellplate - # 13347
#Q Powder Funnel - # 13406
#4 Locator Button - # 14047
(Requires Magnum Powder Bar # 21353)

.338 RUM - # 20258

#B Shellplate - # 13347
#.338 Magnum Rifle Powder Funnel - # 15012
#7 Locator Button - # 13436
(Requires XL Powder Die # 21253)
(Requires Belted Magnum Powder System # 97126)

.338 Lapua - # 20257

#G Shellplate - # 13313
#.338 Magnum Rifle Powder Funnel - # 15012
#7 Locator Button - # 13436
(Requires Belted Magnum Powder System # 97126)

.348 Winchester - # 20217

#T Shellplate - # 12808
#P Rifle Powder Funnel - # 13187
#7 Locator Button - # 13436

.35 Remington - # 20166

#M Shellplate - # 13230
#P Rifle Powder Funnel - # 13187
#2 Locator Button - # 14062

.35 Winchester - # 20168

#P Shellplate - # 13134
#P Rifle Powder Funnel - # 13187
#4 Locator Button - # 14047

.356 Winchester - # 20238

#L Shellplate - # 12703
#P Rifle Powder Funnel - # 13187
#1 Locator Button - # 13930

.357 Herrett - # 20172

#7 Shellplate - # 12501
#D Pistol Powder Funnel - # 13599
#4 Locator Button - # 14047

.358 Norma Mag, .350 Rem - # 20167

#B Shellplate - # 13347
#P Rifle Powder Funnel - # 13187
#4 Locator Button - # 14047

.35 Whelen/.358 Winchester - # 20170

#1 Shellplate - # 13692
#P Rifle Powder Funnel - # 13187
#1 Locator Button - # 13930

.38-55, .375 Winchester - # 20226

#7 Shellplate - # 12501
#V Rifle Powder Funnel - # 13344
#4 Locator Button - # 14047

.375 H&H, .375 Weatherby - # 20204

#B Shellplate - # 13347
#R Rifle Powder Funnel - # 13531
#4 Locator Button - # 14047
(Requires Magnum Powder Bar # 21353)

.375 Ruger - # 20497

#B Shellplate - # 13347
#R Rifle Powder Funnel - # 13531
#6 Locator Button - # 15755
(Requires Magnum Powder Bar # 21353)

.375 RUM - # 20261

#B Shellplate - # 13347
#.378 Rifle Powder Funnel - # 15010
#7 Locator Button - # 13436
(Requires Belted Magnum Powder System # 97126)

.376 Steyr - # 20260

#P Shellplate - # 13134
#R Rifle Powder Funnel - # 13531
#4 Locator Button - # 14047
(Requires Magnum Powder Bar # 21353)

.378 Weatherby - # 21665

#G Shellplate - # 13313
#.378 Rifle Powder Funnel - # 15010
#7 Locator Button - # 13436
(Requires Belted Magnum Powder System # 97126)

9.3 x 62mm - # 20273

#1 Shellplate - # 13692
#R Rifle Powder Funnel - # 13531
#1 Locator Button - # 13930

9.3 x 64mm, 9.3 x 74R - # 20274

#P Shellplate - # 13134
#R Rifle Powder Funnel - # 13531
#4 Locator Button - # 14047

.38-40 Winchester - # 20178

#N Shellplate - # 10004
#W Pistol Powder Funnel - # 13600
#4 Locator Button - # 14047

.40-65 Winchester - # 20264

#G Shellplate - # 13313
#.40 Cal Rifle Powder Funnel - # 11151
#7 Locator Button - # 13436

.416 Remington Magnum - # 20771

#B Shellplate - # 13347
#RM Rifle Powder Funnel - # 13415
#4 Locator Button - # 14047
(Requires Magnum Powder Bar # 21353)

.416 Weatherby - # 20262

#G Shellplate - # 13313
#.416 Rifle Powder Funnel - # 10222
#7 Locator Button - # 13436
(Requires Belted Magnum Powder System # 97126)

.44-40 Winchester - # 20206

#N Shellplate - # 10004
#.44-40 Pistol Powder Funnel - # 13600
#4 Locator Button - # 14047

.444 Marlin - # 20164

#N Shellplate - # 10004
#X Pistol Powder Funnel - # 12920
#4 Locator Button - # 14047

.450 Bushmaster - # 62248

#1 Shellplate - # 13692
#.460 S&W Powder Funnel - # 18949
#1 Locator Button - # 13930

.45-70 Government - # 20143

#G Shellplate - # 13313
#T Pistol Powder Funnel - # 13407
#7 Locator Button - # 13436

.458 SOCOM - # 62154

#1 Shellplate - # 13692
458 SOCOM Powder Funnel - # 21440
#1 Locator Button - # 13930

.458 Win Mag, .450 Marlin - # 20161

#B Shellplate - # 13347
#T Pistol Powder Funnel - # 13407
#4 Locator Button - # 14047
(Requires Magnum Powder Bar # 21353)

.460 Weatherby - # 21664

#G Shellplate - # 13313
#.460 Rifle Powder Funnel - # 15009
#7 Locator Button - # 13436
(Requires Belted Magnum Powder System # 97126)

.50 Beowulf - # 20467

#A Shellplate - # 13211
#.50 Pistol Powder Funnel - # 14465
#2 Locator Button - # 14062
(Requires Extra Large Powder Die # 21253)



RL 450, RL 550, 550B & 550C Caliber Cross Reference Chart

Shellplate 1 Locator Button 1

	Powder Funnel
.22 BR	A - #13426
.22-250	A - #13426
.240 Weatherby Mag.	I - #13305
.243 Winchester	I - #13305
.250 Savage - .250/3000	K - #13216
.25-06	K - #13216
.257 Ackley Improved	K - #13216
.257 Roberts	K - #13216
6mm BR	6PPC - #13085
6mm Remington - .244	I - #13305
.260 Rem./6.5 x 284	Y - #12870
6.5 x 55 Swedish Mauser	Y - #12870
6.5-06	Y - #12870
7mm BR	N - #13014
7mm Int'l	N - #13014
7mm-08 Rem.	J - #13456
7 x 57 Mauser	J - #13456
7 x 64 Brenneke	J - #13456
7mm Express - .280 Rem.	J - #13456
7.5 x 55 Swiss	B - #13587
7.65 Bel-Arg	B - #13587
7.7 Japanese Arisaka	B - #13587
.270 Winchester	J - #13456
.284 Winchester	J - #13456
.30-06	B - #13587
.300 Savage	AK - #13015
.308 - 7.62 NATO	B - #13587
8mm Mauser	M - #12963
.358 Winchester	P - #13187
.35 Whelen	P - #13187
.40 Super/.400 CorBon	W - #13600
.45 ACP	E - #13782

Shellplate 2 Locator Button 2

.22 Rem. Jet	A - #13426
.256 Win. Mag.	543R - #13243
.38 LC	D - #13599
.38 Sp.-.357 Mag./Max.	D - #13599

Shellplate 3 Locator Button 3

.17 Remington	O - #12921
.22 TCM	22 TCM - #62216
.204 Ruger	204 Ruger - #20322
.221 Rem. Fire Ball	A - #13426
.222 Rem. - Rem. Mag.	A - #13426
.223 - 5.56 mm	A - #13426
6mm TCU	6PPC - #13085
7mm TCU	N - #13014
.300 Whisper	AK - #13015
.380 ACP	F - #13806

Shellplate 4 Locator Button 4

.303 British	B - #13587
.44 Colt/.44 Russian	G - #13427
.44 Special - Magnum	G - #13427

Shellplate 5 Locator Button 2

9x25 Dillon/.357 SIG	F - #13806
10mm/.40 S&W	W - #13600

Shellplate 5 Locator Button 3

.30 Luger	C - #13564
.30 Mauser	C - #13564
9 x 18 Makarov	9 - #14980
9mm Luger	F - #13806
.38 Super	F - #13806
.41 AE	AE - #13180

Shellplate 6 Locator Button 1

	Powder Funnel
.41 Magnum	H - #13240

Shellplate 7 Locator Button 4

.219 Donaldson Wasp	A - #13426
.219 Zipper	A - #13426
.22 Savage Hi Power	A - #13426
.25-35 Winchester	K - #13216
7mm International Rimmed N	- #13014
7-30 Waters	N - #13014
.38-55 Win. Ballard	543V - #13344
.30 Herrett	AK - #13015
.30-30 Winchester	B - #13587
.32-40 Winchester	B - #13587
.32 Winchester Special	B - #13587
.357 Herrett	D - #13599
.375 Super Magnum	543V - #13344

Shellplate 8 Locator Button 8

.30 M1 Carbine	C - #13564
.32 ACP - 7.65mm	S - #12845
.32 Short Colt	S - #12845

Shellplate 50 Locator Button 4

.50 AE	50AE - #14465
--------	---------------

Shellplate A Locator Button 2

.22 PPC	A - #13426
.224 Weatherby Magnum	A - #13426
6 PPC	6PPC - #13085
7.62 x 39 Russian	AK - #13015

Shellplate B Locator Button 4

.257 Wby. Mag.	K - #13216
.264 Win. Mag.	Y - #12870
6.5mm Rem. Mag.	Y - #12870
.270 Wby. Mag.	J - #13456
7mm Rem. Mag.	J - #13456
7mm STW	J - #13456
7mm Wby. Mag.	J - #13456
.28 Nosler 7mm Short Mag.	- #18416
.30 Nosler .300 Short Mag.	- #18415
.30-338 Win. Mag.	B - #13587
.300 Win. Mag.	B - #13587
.300 Win. Short	300 - #15013
.300 H&H Mag.	B - #13587
.300 Wby. Mag.	B - #13587
.308 Norma Mag.	B - #13587
8mm Rem. Mag.	M - #12963
.33 Nosler .338 Funnel	- #15012
.338 Win. Mag.	Q - #13406
.340 Wby. Mag.	Q - #13406
.350 Rem. Mag.	P - #13187
.358 Norma Mag.	P - #13187
.375 H&H	544R - #13531
.375 Weatherby Mag.	544R - #13531
.416 Rem. Mag.	544RM - #13415
.450 Marlin/.470 Nitro	T - #13407
.458 Winchester Mag.	543T - #13407

Shellplate B Locator Button 6

.223 WSSM 223 Short Mag.	- #18417
.243 WSSM 243 Short Mag.	- #11156
.25 WSSM 25 Short Mag.	- #11157
7 Ultra & WSM	7mm - #15019
.270 WSM	7mm - #15019
.300 Ultra	300 - #15013
.300 WSM	30 Short Mag. - #18415
.338 Ultra	338 - #15012

.375 Ultra Mag.	378 - #15010
.375 Ruger	R Rifle - #13531

Shellplate C Locator Button 4

	Powder Funnel
.45 Colt/.45 Schofield	E - #13782
.454 Casull	E - #13782
.455 Webley	E - #13782

Shellplate D Locator Button 3

.32 S&W Long	S - #12845
.32 H&R Magnum	S - #12845

Shellplate E Locator Button 8

.22 Hornet - K Hornet	A - #13426
-----------------------	------------

Shellplate G Locator Button 7

7.62 x 54 Russian	B - #13587
.30-378/.300 Dakota	300 - #15013
.33 Win.	Q - #13406
.338 Lapua/.330 Dakota	338 - #15012
.378 Wby. Mag.	544378 - #15010
.40-65	RM - #13415
.404 Jeff	416 - #10222
.416 Rigby & W'by	416 - #10222
.45-70 Gov't	543T - #13407
.460 Wby. Mag.	544460 - #15009
.480 Ruger/.475 Linebaugh	E - #13782

Shellplate H Locator Button 4

.45 Auto Rim	E - #13782
--------------	------------

Shellplate L Locator Button 1

.220 Swift	L - #10831
.225 Winchester	L - #10831
6.5 Japanese Arisaka	Y - #12870
7mm Merrill	N - #13014
.30 Merrill	AK - #13015
.307 Winchester	B - #13587
.356 Winchester	P - #13187
.45 Winchester Magnum	E - #13782

Shellplate M Locator Button 1

6.5 Creedmoor 6.5 Grendel	- #18947
---------------------------	----------

Shellplate M Locator Button 2

6.5 x 52 Carcano	Y - #12870
6.5 mm x 54 Mann-Scho	Y - #12870
.35 Remington	P - #13187

Shellplate N Locator Button 4

.38-40 Winchester	W - #13600
.44-40 Winchester	G - #13427
.444 Marlin	543X - #12920

Shellplate O Locator Button 3

.218 Bee	A - #13426
.25-20 Winchester	543R - #13243
.32-20 Winchester	S - #12845
.38 AMU	F - #13806

Shellplate P Locator Button 4

.30-40 Krag	B - #13587
.35 Winchester	P - #13187
.376 Steyr	R - #13547

Shellplate R Locator Button 2

.25 Remington	K - #13216
.30 Rem. - .32 Rem.	B - #13587

Shellplate T Locator Button 7

.348 Win.	P - #13187
-----------	------------

Shellplate U Locator Button 2

.38 S&W	F - #13806
---------	------------